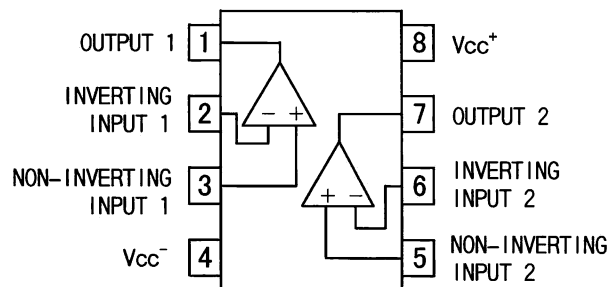


STRUCTURE SILICON MONOLITHIC INTEGRATED CIRCUIT
 FUNCTION SIGNATURE SERIES GROUND SENSE DUAL OPERATIONAL AMPLIFIERS
 PRODUCT SERIES **LM358DT LM358PT LM358ST**
LM358WDT LM358WPT

- FEATURES
- Operating temperature range 0[°C] to +70[°C] (Commercial grade)
 - 2[kV] ESD protection (LM358WDT,LM358WPT)
 - Large signal voltage gain 100[V/mV] Typ
 - Wide supply voltage range
 Single supply +3[V] to +32[V]
 Dual supply ± 1.5[V] to ± 16[V]
 - Low supply current drain 0.5[mA/AMP] Typ
 - Common-mode input voltage range includes ground
 - Low input offset and bias parameters :
 Input offset voltage 2[mV] Typ
 Input offset current 2[nA] Typ
 - Differential input voltage range equal to the power supply voltage
 - Large output voltage swing 0[V] to $V_{cc}^+ - 1.5[V]$
 - Internal frequency compensation

LM358 family (SIGNATURE SERIES)

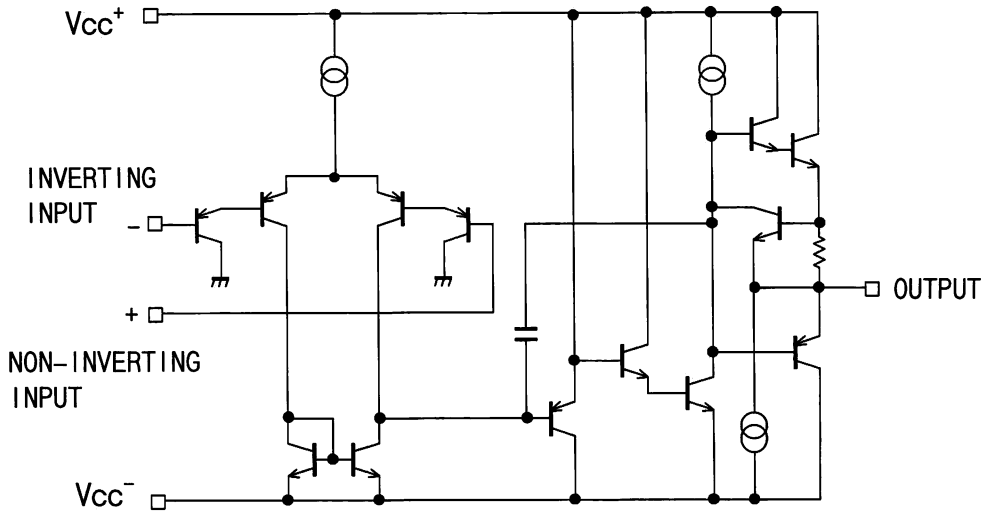
○BLOCK DIAGRAM



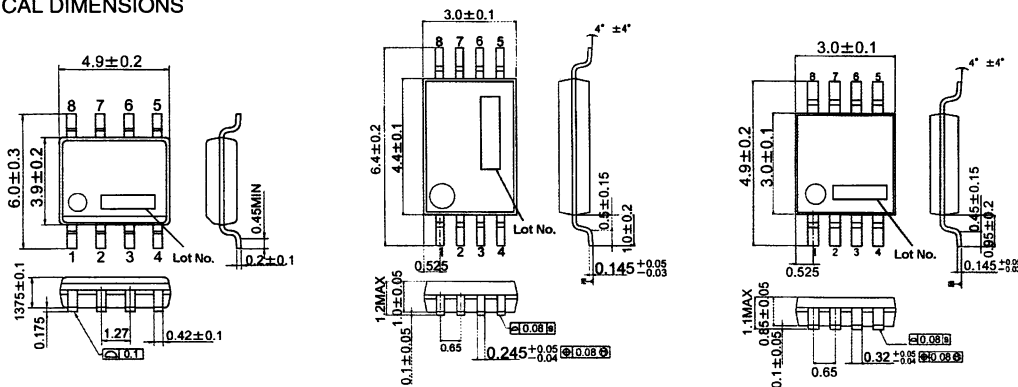
○PIN No. • PIN NAME

PIN No.	PIN NAME
1	OUTPUT 1
2	INVERTING INPUT 1
3	NON-INVERTING INPUT 1
4	V_{cc}^-
5	NON-INVERTING INPUT 2
6	INVERTING INPUT 2
7	OUTPUT 2
8	V_{cc}^+

○SCHEMATIC DIAGRAM(Each Operational Amplifier)



○PHYSICAL DIMENSIONS



This drawing is subject to change without notice.

LM358DT/WDT (SOpackage8) (Unit : [mm]) LM358PT/WPT (TSSOP8) (Unit : [mm]) LM358ST (Mini SO8) (Unit : [mm])

○ABSOLUTE MAXIMUM RATINGS (Ta=25[°C])

Parameter	Symbol	Rating	Unit
Supply Voltage	Vcc ⁺	+32	V
Power Dissipation	Pd	LM358DT/LM358WDT	450(*1)(*4)
		LM358PT/TLM358WPT	500(*2)(*4)
		LM358ST	470(*3)(*4)
Operating Temperature	Topr	0 to +70	°C
Storage Temperature Range	Tstg	-65 to +150	°C
Maximum junction Temperature	Tjmax	+150	°C

(*1) To use at temperature above Ta=25[°C] reduce 3.60[mW]/[°C].

(*2) To use at temperature above Ta=25[°C] reduce 4.00mW/[°C].

(*3) To use at temperature above Ta=25[°C] reduce 3.76[mW]/[°C].

(*4) Mounted on a glass epoxy PCB(70[mm]×70[mm]×1.6[mm]).

(*5) The voltage difference between inverting input and non-inverting input is the differential input voltage. Then input terminal voltage is set to more than Vcc⁻.

○OPERATING CONDITION (Ta=0[°C] to +70[°C])

Parameter	Symbol	Rating	Unit
Supply Voltage	Vcc ⁺	+3.0 to +32.0 (Single Supply)	V
		± 1.5 to ± 16.0 (Dual Supply)	

○ELECTRICAL CHARACTERISTICS (Unless otherwise specified $V_{cc}^+ = +5[V]$, $V_{cc}^- = 0[V]$)

Parameter	Symbol	Temperature Range	Guaranteed Limit			Unit	Condition
			Min.	Typ.	Max.		
Input Offset Voltage (*6)	VIO	25°C	-	2	7	mV	$V_O = 1.4[V]$, $R_S = 0[\Omega]$ $5[V] < V_{cc}^+ < 30[V]$ $0 < V_{IC} < V_{cc}^+ - 1.5[V]$
		Full range	-	-	9		
Input Offset Current (*6)	IIO	25°C	-	2	30	nA	$V_O = 1.4[V]$
		Full range	-	-	40		
Input Bias Current (*6)	IIB	25°C	-	20	150	nA	$V_O = 1.4[V]$
		Full range	-	-	200		
Large Signal Voltage Gain	AVD	25°C	25	100	-	V/mV	$V_{cc}^+ = 15[V]$, $V_O = 1.4[V]$ to $11.4[V]$ $R_L = 2[k\Omega]$
Supply Voltage Rejection Ratio	SVR	25°C	65	100	-	dB	$R_S \leq 10[k\Omega]$, $V_{cc}^+ = 5[V]$ to $30[V]$
		Full range	65	-	-		
Supply Current(All Amp)	ICC	Full range	-	0.7	1.2	mA	$V_{cc}^+ = 5[V]$, No Load
		Full range	-	-	2		$V_{cc}^+ = 30[V]$, No Load
Input Common mode Voltage Range	VICM	25°C	-	-	$V_{cc}^+ - 1.5$	V	$V_{cc}^+ = 30[V]$
		Full range	-	-	$V_{cc}^+ - 2.0$		
Common mode Rejection Ratio	CMR	25°C	70	85	-	dB	$R_S \leq 10[k\Omega]$
		Full range	60	-	-		
Output Current Source (*7)	Isource	25°C	20	40	60	mA	$V_{cc}^+ = 15[V]$, $V_O = +2[V]$, $V_{ID} = +1[V]$
Output Sink Current (*7)	Isink	25°C	10	20	-	mA	$V_O = +2[V]$, $V_{cc}^+ = 15[V]$, $V_{ID} = -1[V]$
			12	50	-		μA
Output Voltage Swing	Vopp	25°C	0	-	$V_{cc}^+ - 1.5$	V	$R_L = 2[k\Omega]$
		Full range	0	-	$V_{cc}^+ - 2.0$		
High Level Output Voltage	VOH	25°C	27	28	-	V	$V_{cc}^+ = 30[V]$, $R_L = 10[k\Omega]$
		Full range	27	-	-		
Low Level Output Voltage	VOL	25°C	-	5	20	mV	$R_L = 10[k\Omega]$
		Full range	-	-	20		
Slew Rate	SR	25°C	-	0.6	-	V/ μs	$R_L = 2[k\Omega]$, $C_L = 100[pF]$, $V_{cc}^+ = 15[V]$ $V_I = 0.5[V] \sim 3[V]$, Unity Gain
Gain Bandwidth Product	GBP	25°C	-	1.1	-	MHz	$V_{cc}^+ = 30[V]$, $R_L = 2[k\Omega]$, $C_L = 100[pF]$ $V_{IN} = 10[mV]$, $f = 100[kHz]$
Total Harmonic Distortion	THD	25°C	-	0.02	-	%	$f = 1[kHz]$, $AV = 20[dB]$, $R_L = 2[k\Omega]$ $C_L = 100[pF]$, $V_O = 2[V_{pp}]$
Equivalent Input Noise Voltage	en	25°C	-	55	-	nV/ \sqrt{Hz}	$f = 1[kHz]$, $R_S = 100[\Omega]$, $V_{cc}^+ = 30[V]$
Input Offset Voltage Drift	DVIO	-	-	7	-	$\mu V/^\circ C$	-
Input Offset Current Drift	DIIO	-	-	10	-	pA/ $^\circ C$	-
Channel Separation	VO1/VO2	25°C	-	120	-	dB	$1[kHz] \leq f \leq 20[kHz]$

(*6) Absolute value.

(*7) Under the high temperature environment, consider the power dissipation of IC when select the output current.

When output terminal short-circuits continuously, the output current reduce to climb temperature inside IC by flash.

○APPLICATION EXAMPLE

- (1) Absolute maximum ratings
 Absolute maximum ratings are the values, which indicate the limits, within which the given voltage range can be safely charged to the terminal. However, it does not guarantee the circuit operation.
- (2) The example of disabled circuit application
 When there is a circuit not in use, it is recommended to make the non-inverting input terminal be the potential in the common-mode input voltage range like in Fig.1.
- (3) Applied voltage to the input terminal
 Regardless of power supply voltage, $V_{cc^-} + 32$ [V] can be applied to input terminals without deterioration or destruction of its characteristics. However, this does not guarantee a circuit operation. Note that circuits do not operate normally with input voltage not within input common mode voltage in terms of the electrical characteristics.
- (4) Operating power supply (single power supply/dual power supply)
 The OP-Amp operates if a given level of voltage is applied between V_{cc^+} and V_{cc^-} . Therefore, the OP-Amp can be operated under single power supply or dual power supply.
- (5) Power dissipation (Pd)
 If the IC is used under excessive power dissipation. An increase in the chip temperature will cause deterioration of the radical characteristics of IC. For example, reduction of current capability. Take consideration of the effective power dissipation and thermal design with a sufficient margin. Pd is reference to the provided power dissipation curve.
- (6) Short circuits between pins and incorrect mounting
 Short circuits between pins and incorrect mounting when mounting the IC on a printed circuits board, take notice of the direction and positioning of the IC. If IC is mounted erroneously, It may be damaged. Also, when a foreign object is inserted between output, between output and V_{cc^+} terminal or V_{cc^-} terminal which causes short circuit, the IC may be damaged.
- (7) Using under strong electromagnetic field
 Be careful when using the IC under strong electromagnetic field because it may malfunction.
- (8) Usage of IC
 When stress is applied to the IC through warp of the printed circuit board, The characteristics may fluctuate due to the piezo effect. Be careful of the warp of the printed circuit board.
- (9) Output operation
 This IC is configured with a push-pull circuit and Class C output stage. Therefore, when load resistance is connected to the middle point potential of V_{cc^+} and V_{cc^-} , this configuration generates crossover distortion when switching between source and sink current. To suppress crossover distortion, connect a resistor between the output terminal and V_{cc^-} then increase the bias current to enable Class A operation.
- (10) Testing IC on the set board
 When testing IC on the set board, in cases where the capacitor is connected to the low impedance, make sure to discharge per fabrication because there is a possibility that IC may be damaged by stress. When removing IC from the set board, it is essential to cut supply voltage. As a countermeasure against the static electricity, observe proper grounding during fabrication process and take due care when carrying and storage it.
- (11) Output terminal capacitor
 Transistor in circuits may be damaged when V_{cc^+} terminal and V_{cc^-} terminal is shorted with the charged output terminal capacitor. When IC is used as a comparator or as an application circuit, where oscillation is not activated by an output capacitor, the output capacitor must be kept below $0.1[\mu F]$ in order to prevent the damage mentioned above. Be careful when IC is used as voltage follower application with output capacitance. If capacitance connect output terminal then evaluate for output terminal oscillation.

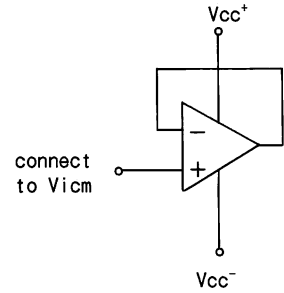


Fig.1 The example of disable circuit

Notes

- No technical content pages of this document may be reproduced in any form or transmitted by any means without prior permission of ROHM CO.,LTD.
- The contents described herein are subject to change without notice. The specifications for the product described in this document are for reference only. Upon actual use, therefore, please request that specifications to be separately delivered.
- Application circuit diagrams and circuit constants contained herein are shown as examples of standard use and operation. Please pay careful attention to the peripheral conditions when designing circuits and deciding upon circuit constants in the set.
- Any data, including, but not limited to application circuit diagrams information, described herein are intended only as illustrations of such devices and not as the specifications for such devices. ROHM CO.,LTD. disclaims any warranty that any use of such devices shall be free from infringement of any third party's intellectual property rights or other proprietary rights, and further, assumes no liability of whatsoever nature in the event of any such infringement, or arising from or connected with or related to the use of such devices.
- Upon the sale of any such devices, other than for buyer's right to use such devices itself, resell or otherwise dispose of the same, no express or implied right or license to practice or commercially exploit any intellectual property rights or other proprietary rights owned or controlled by
- ROHM CO., LTD. is granted to any such buyer.
- Products listed in this document are no antiradiation design.

The products listed in this document are designed to be used with ordinary electronic equipment or devices (such as audio visual equipment, office-automation equipment, communications devices, electrical appliances and electronic toys).

Should you intend to use these products with equipment or devices which require an extremely high level of reliability and the malfunction of which would directly endanger human life (such as medical instruments, transportation equipment, aerospace machinery, nuclear-reactor controllers, fuel controllers and other safety devices), please be sure to consult with our sales representative in advance.

About Export Control Order in Japan

Products described herein are the objects of controlled goods in Annex 1 (Item 16) of Export Trade Control Order in Japan.

In case of export from Japan, please confirm if it applies to "objective" criteria or an "informed" (by MITI clause) on the basis of "catch all controls for Non-Proliferation of Weapons of Mass Destruction.

Thank you for your accessing to ROHM product informations.
More detail product informations and catalogs are available,
please contact your nearest sales office.

Please contact our sales offices for details ;

U.S.A / San Diego	TEL : +1(858)625-3630	FAX : +1(858)625-3670
Atlanta	TEL : +1(770)754-5972	FAX : +1(770)754-0691
Dallas	TEL : +1(972)312-8818	FAX : +1(972)312-0330
Germany / Dusseldorf	TEL : +49(2154)9210	FAX : +49(2154)921400
United Kingdom / London	TEL : +44(1)908-282-666	FAX : +44(1)908-282-528
France / Paris	TEL : +33(0)1 56 97 30 60	FAX : +33(0) 1 56 97 30 80
China / Hong Kong	TEL : +852(2)740-6262	FAX : +852(2)375-8971
Shanghai	TEL : +86(21)6279-2727	FAX : +86(21)6247-2066
Dilian	TEL : +86(411)8230-8549	FAX : +86(411)8230-8537
Beijing	TEL : +86(10)8525-2483	FAX : +86(10)8525-2489
Taiwan / Taipei	TEL : +866(2)2500-6956	FAX : +866(2)2503-2869
Korea / Seoul	TEL : +82(2)8182-700	FAX : +82(2)8182-715
Singapore	TEL : +65-6332-2322	FAX : +65-6332-5662
Malaysia / Kuala Lumpur	TEL : +60(3)7958-8355	FAX : +60(3)7958-8377
Philippines / Manila	TEL : +63(2)807-6872	FAX : +63(2)809-1422
Thailand / Bangkok	TEL : +66(2)254-4890	FAX : +66(2)256-6334

Japan /
(Internal Sales)

Tokyo	2-1-1, Yaesu, Chuo-ku, Tokyo 104-0082	TEL : +81(3)5203-0321	FAX : +81(3)5203-0300
Yokohama	2-4-8, Shin Yokohama, Kohoku-ku, Yokohama, Kanagawa 222-8575	TEL : +81(45)476-2131	FAX : +81(45)476-2128
Nagoya	Dainagayo Building 9F 3-28-12, Meieki, Nakamura-ku, Nagoya, Aichi 450-0002	TEL : +81(52)581-8521	FAX : +81(52)561-2173
Kyoto	579-32 Higashi Shiokouji-cho, Karasuma Nishi-iru, Shiokoujidori, Shimogyo-ku, Kyoto 600-8216	TEL : +81(75)311-2121	FAX : +81(75)314-6559

(Contact address for overseas customers in Japan)

Yokohama	TEL : +81(45)476-9270	FAX : +81(045)476-9271
----------	-----------------------	------------------------